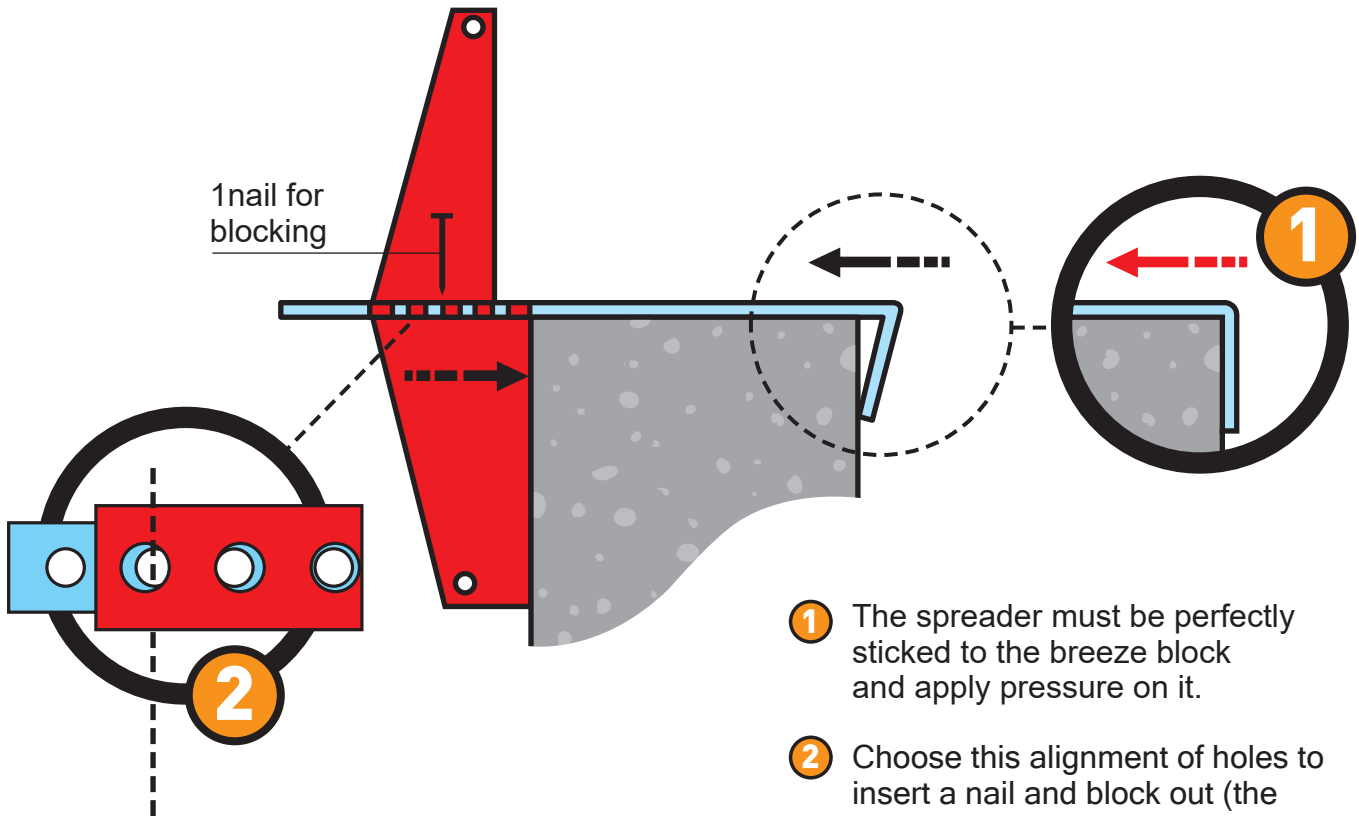


**FOR CONCRETE SLABS THICKER THAN 20 CM,
WE RECOMMEND PLACING SHOES EVERY 50 CM**

ADVICES TO SET "CROC" SHOES AND SPREADERS UP

Place shoes every 60 cm. To use the "CROC" formwork clamps properly, you need to respect the following setting up :



Our Aluminium spreaders respect the french standards concerning steel covering (no rust on your facades)

Our aluminium spreaders can be easily broken off behind the slab, on the hedge of the wall, after concrete pouring and form stripping.

We offer different spreaders for walls of :

15 / 20 / 25 cm ; 25 / 27 cm ; 30 cm ; 36.5 / 39 cm

Special dimensions can be made on demand.

In case of a lime-based façade plaster, you will have to apply a proper preparation on the spreaders to avoid any kind of chemical reaction.
The company declines any kind of responsibility in case of misuse or improper preparation before façade plaster.

CROC
BREVETE

SEB DIFFUSION

2, rue Lacour

42700 Firminy

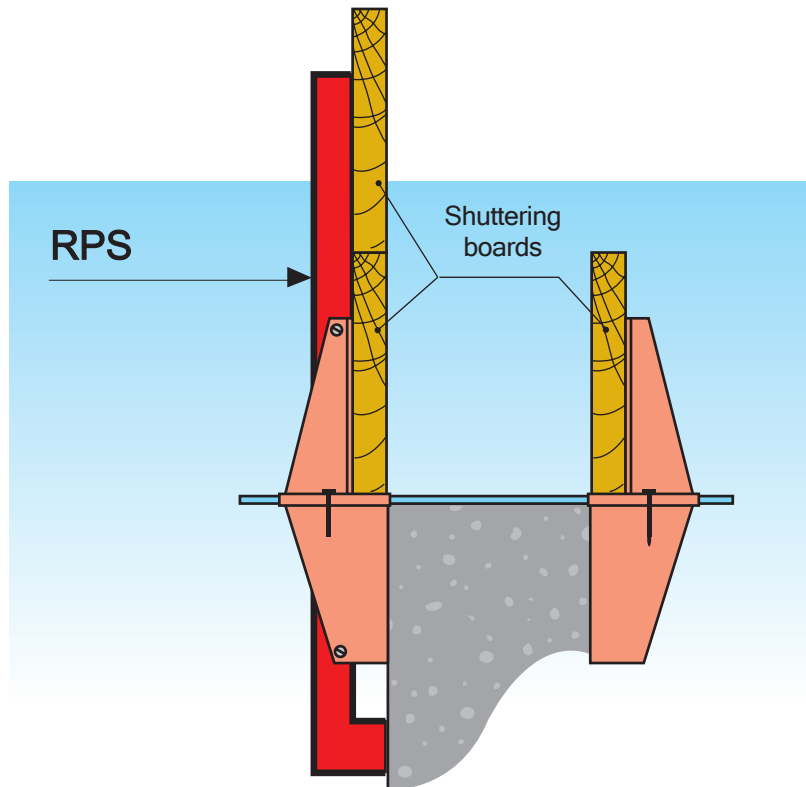
Tél. 04 77 56 65 03

Fax : 04 77 10 97 25

Email : contact@systeme-croc.fr

RING BEAM AND SLAB FORMWORKS IN ONE OPERATION WITH THE OPTION "RPS CROC"

The "RPS" can easily be adapted on the shoes and allow the setting up of shuttering boards of different heights, from 30 to 50 cm.



OPTION FOR SHUTTERING BOARDS THICKER THAN 27 MM (PDR 27)

They can be adjusted by sliding and blocking, according to the shuttering board (up to maximum 65 mm)

